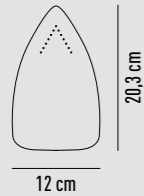


# FERRO EOS

## FE0000

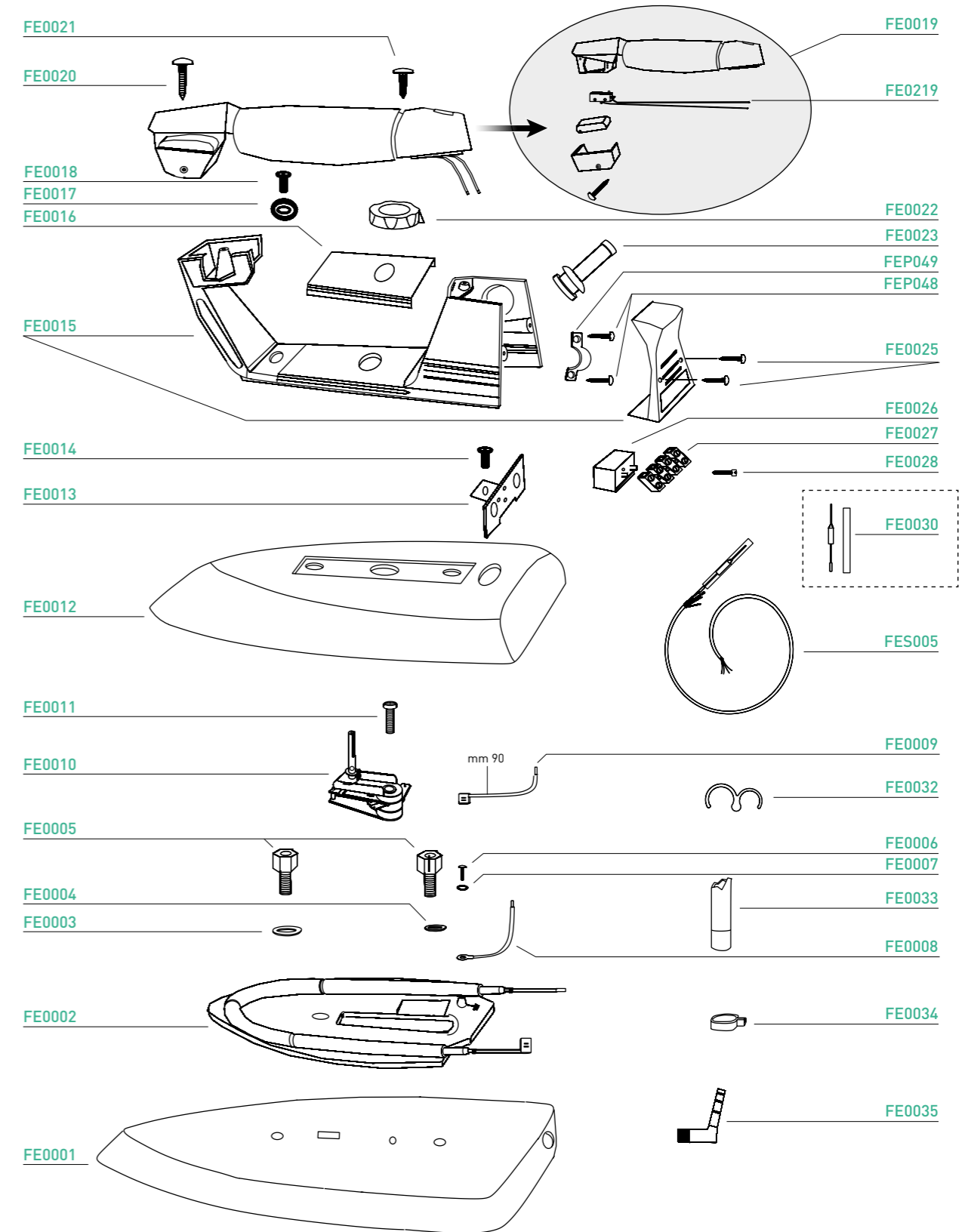


Peso netto	1,50 kg
Peso con tubo e filo	1,75 kg
Lunghezza monotubo	2,10 mt
Lunghezza tubo e filo	2,00 mt

Net weight	1,50 kg
Net weight with electric cable and steam hose	1,75 kg
Monohose	2,10 mt
Steam hose and electric cable	2,00 mt

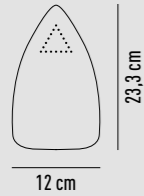


cod.	Descrizione: Ferro da stiro mod. EOS	Description: Iron mod. EOS
FE0001	Piastra ferro EOS	Iron plate for EOS iron
FE0002	Resistenza 800W ferro EOS	Heating element 800 W for EOS iron
FE0003	Rondella piana 6x18x1,5 zincata bianca ferro EOS	Flat washer 6x18x1,5 white zinc-plated EOS iron
FE0004	Rondella dent. vent.int. bianca DIN 6798 ferro EOS	White toothed washer DIN 6798 for Eos iron
FE0005	Prigioniero 6max30 ferro LK-FK con spessore esagono 10mm ferro	Pin 6x30 LK FK iron - hexagon thickness 10mm - for Eos iron 2 EOS
FE0006	Vite trilobata m3x6 T.C. croce zincata - fissaggio terra ferro EOS	Zinc trilobed screw m3x6 - earth wire fixing - for Eos iron
FE0007	Rondella dentellata 3,2V.E. zincata - DIN 6798 ferro EOS	Serrated washer 3,2V.E. zinc-plated - DIN 6798 EOS iron
FE0008	Collegamento elettrico mm.75 ferro EOS	Electrical connection mm.75 EOS iron
FE0009	Collegamento elettrico mm.90 ferro EOS	Electrical connection mm.90 EOS iron
FE0010	Termostato ferro EOS	Thermostat for EOS iron
FE0011	Vite per termostato ferro EOS	Screw for thermostat EOS iron
FE0012	Calotta acciaio ferro EOS	Steel covercup for EOS iron
FE0013	Supporto morsettiera ferro EOS	Terminal board support EOS iron
FE0014	Vite brugola 5x16TBCE brunita ferro EOS	Allen screw 5x16TBCE burnished - EOS iron
FE0015	Supporto manico ferro EOS	Handle support EOS iron
FE0016	Targhetta ferro EOS	Plate for EOS iron
FE0017	Rondella dentellata int/est. 6x18 per ferro EOS	Elastic corrugated washer d.5 for Eos iron
FE0018	Vite brugola 5x16TBCE brunita - supporto manico ferro EOS	Allen screw 5x16TBCE burnished - handle support EOS iron
FE0019	Manico completo di micro ferro EOS	Iron handle complete with micro-switch for EOS iron
FE0020	Vite autofilettante 4,2x32 zincata nera - testa svasata ferro EOS	Self-tapping screw 4,2x32 black zinc-plated - flared head EOS iron
FE0021	Vite autofilettante 4,2x13 zincatanera - testa svasata ferro EOS	Self-tapping screw 4,2x13 black zinc-plated - flared head EOS iron
FE0022	Manopola termostato ferro EOS	Temperature control knob for EOS iron
FE0023	Passacavo ferro EOS	Strain relief for EOS iron 1
FE0025	Vite autof. 3,5x9,5 T.C. SP DIN7981 - ZN NERA - H, Lemm ferro 2 EOS	Self-tapping screw 3,5x9,5 T.C. SP DIN7981 - ZN BLACK - H, Lemm EOS iron
FE0026	Basetta morsetto ferro EOS	Sideburn clamp EOS iron
FE0027	Morsetto 4 poli ferro EOS	Clamp 4 poles for EOS iron
FE0028	Vite autof. 2,2x25 T.C. croce senza punta - zinata bianca ferro EOS	Self-tapping screw 2,2x25 T.C. - white zinc-plated EOS iron
FE0032	Fascetta plastica doppia cavo-tubo ferro EOS	Double plastic hose clamp cable-hose EOS iron
FE0033	Tubo vapore calzato 2,00mt ferro EOS	Steam hose with cover 2,00 mt EOS iron
FE0034	Fascetta stringitubo ferro EOS	Hose clamp EOS iron 1
FE0035	Portagomma curvo 1/8" ferro EOS	Curved hose holder 1/8" EOS iron
FE0219	Micro mini c/cavetti ferro EOS	Micro-switch (mini) with small wires EOS iron
FE048	Vite autof. 2,9x13 T.CIL.Croce zincata nera per ferro EOS	Self-tapping screw 2,9x13 T.CIL. black zinc-plated for EOS iron
FE049	Fascetta bloccacavo in nylon per ferro EOS	Clamp for EOS iron
FES005	Filo ferro completo di termofusibile per ferro EOS (2,1 mt.)	Electric cable with thermal fuse mt.2,1 for EOS
FE0030	Termofusibile singolo ferro EOS	Thermal fuse for EOS iron 1



# FERRO EOS MAXI

## FEM000

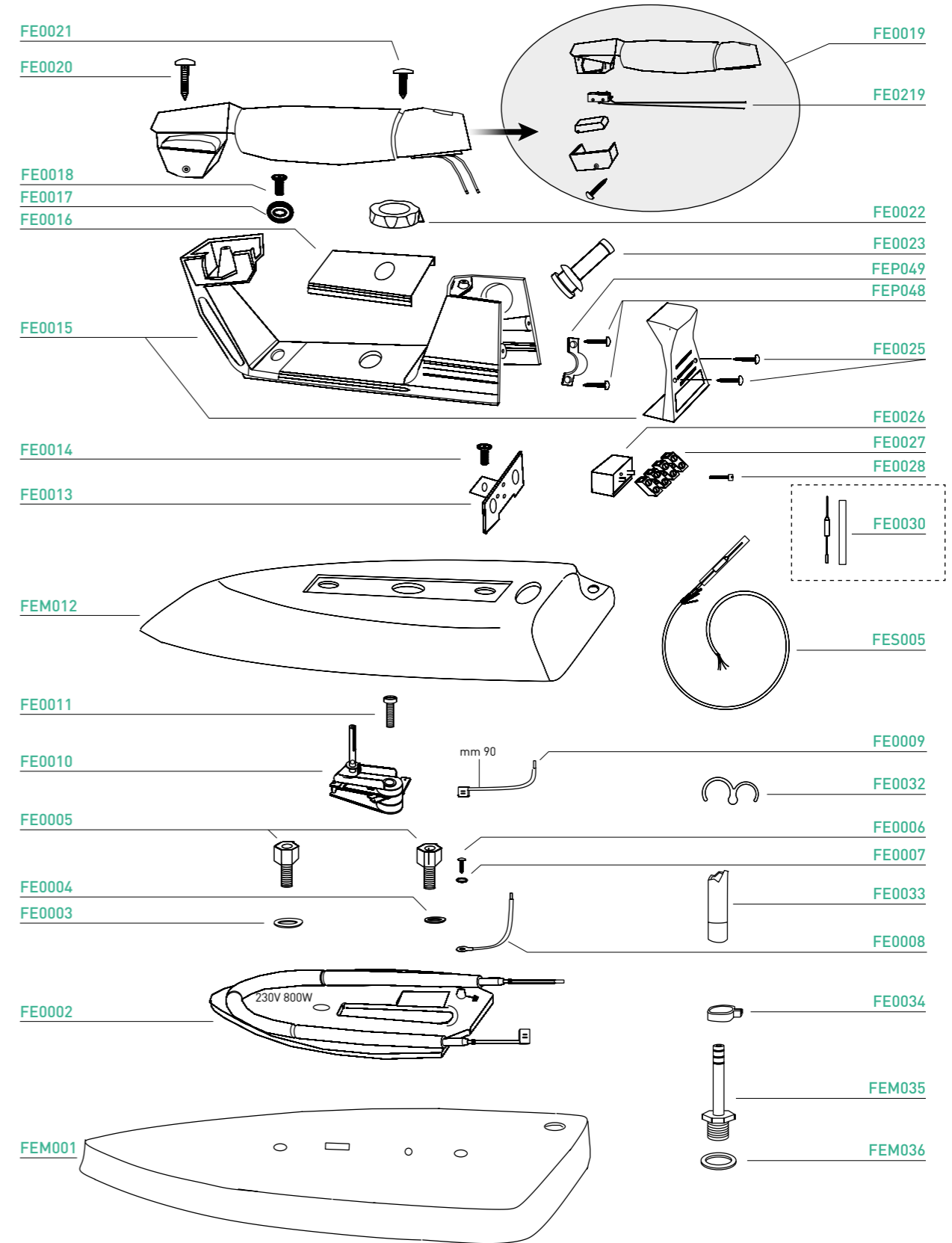


Peso netto	1,70 kg
Peso con tubo e filo	1,95 kg
Lunghezza monotubo	2,10 mt
Lunghezza tubo e filo	2,00 mt

Net weight	1,70 kg
Net weight with electric cable and steam hose	1,95 kg
Monohose	2,10 mt
Steam hose and electric cable	2,00 mt

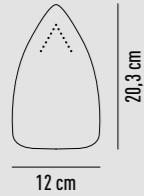


cod.	Descrizione: Ferro da stiro mod. EOS MAXI	Description: Iron mod. EOS MAXI
FE0002	Resistenza 800W ferro EOS	Heating element 800 W for EOS iron
FE0003	Rondella piana 6x18x1,5 zincata bianca ferro EOS	Flat washer 6x18x1,5 white zinc-plated EOS iron
FE0004	Rondella dent. vent.int. bianca DIN 6798 ferro EOS	White toothed washer DIN 6798 for Eos iron
FE0005	Prigioniero 6max30 ferro LK-FK con spessore esagono 10mm ferro	Pin 6x30 LK FK iron - hexagon thickness 10mm - for Eos iron 2 EOS
FE0006	Vite trilobata m3x6 T.C. croce zincata - fissaggio terra ferro EOS	Zinc trilobed screw m3x6 - earth wire fixing - for Eos iron
FE0007	Rondella dentellata 3,2V.E. zincata - DIN 6798 ferro EOS	Serrated washer 3,2V.E. zinc-plated - DIN 6798 EOS iron
FE0008	Collegamento elettrico mm.75 ferro EOS	Electrical connection mm.75 EOS iron
FE0009	Collegamento elettrico mm.90 ferro EOS	Electrical connection mm.90 EOS iron
FE0010	Termostato ferro EOS	Thermostat for EOS iron
FE0011	Vite per termostato ferro EOS	Screw for thermostat EOS iron
FE0013	Supporto morsetteria ferro EOS	Terminal board support EOS iron
FE0014	Vite brugola 5x16TBCE brunita ferro EOS	Allen screw 5x16TBCE burnished - EOS iron
FE0015	Supporto manico ferro EOS (FE0015+FE0024)	Handle support EOS iron
FE0016	Targhetta ferro EOS	Plate for EOS iron
FE0017	Rondella dentellata int/est. 6x18 per ferro EOS	Elastic corrugated washer d.5 for Eos iron
FE0018	Vite brugola 5x16TBCE brunita - supporto manico ferro EOS	Allen screw 5x16TBCE burnished - handle support EOS iron
FE0019	Manico completo di micro ferro EOS	Iron handle complete with micro-switch for EOS iron
FE0020	Vite autofilettante 4,2x32 zincata nera - testa svasata ferro EOS	Self-tapping screw 4,2x32 black zinc-plated - flared head EOS iron
FE0021	Vite autofilettante 4,2x13 zincatanera - testa svasata ferro EOS	Self-tapping screw 4,2x13 black zinc-plated - flared head EOS iron
FE0022	Manopola termostato ferro EOS	Temperature control knob for EOS iron
FE0023	Passacavo ferro EOS	Strain relief for EOS iron
FE0025	Vite autof. 3,5x9,5 T.C. SP DIN7981 - ZN NERA - H, Lemm ferro 2 EOS	Self-tapping screw 3,5x9,5 T.C. SP DIN7981 - ZN BLACK - H, Lemm EOS iron
FE0026	Basetta morsetto ferro EOS	Sideburn clamp EOS iron
FE0027	Morsetto 4 poli ferro EOS	Clamp 4 poles for EOS iron
FE0028	Vite autof. 2,2x25 T.C. croce senza punta-zinata bianca ferro EOS	Self-tapping screw 2,2x25 T.C. - white zinc-plated EOS iron
FE0032	Fascetta plastica doppia cavo-tubo ferro EOS	Double plastic hose clamp cable-hose EOS iron
FE0033	Tubo vapore calzato 2,00mt ferro EOS	Steam hose with cover 2,00 mt EOS iron
FE0034	Fascetta stringitubo ferro EOS	Hose clamp EOS iron
FE0219	Micro mini c/cavetti ferro EOS	Micro-switch (mini) with small wires EOS iron
FEM001	Piastra ferro EOS MAXI	Iron plate for EOS MAXI iron
FEM012	Calotta acciaio ferro EOS MAXI	Steel covercup for EOS MAXI iron
FEM035	Portagomma dritto 1/8" ferro EOS MAXI	Straight hose holder 1/8" EOS MAXI iron
FEM036	Guarnizione per portagomma ferro EOS MAXI	Hose holder gasket for EOS MAXI iron
FEP048	Vite autof. 2,9x13 T.CIL.Croce zincata nera per ferro EOS	Self-tapping screw 2,9x13 T.CIL. black zinc-plated for EOS iron
FEP049	Fascetta bloccacavo in nylon per ferro EOS	Clamp for EOS iron
FES005	Filo ferro completo di termofusibile per ferro EOS (2,1 mt.)	Electric cable with thermal fuse mt.2,1 for EOS
FE0030	Termofusibile singolo ferro EOS	Thermal fuse for EOS iron



# FERRO EOS PRO

## FEP000



Peso netto	1,55 kg
Peso con tubo e filo	1,85 kg
Lunghezza tubo e filo	2,15 mt

Net weight	1,55 kg
Net weight with electric cable and steam hose	1,85 kg
Steam hose and electric cable	2,15 mt

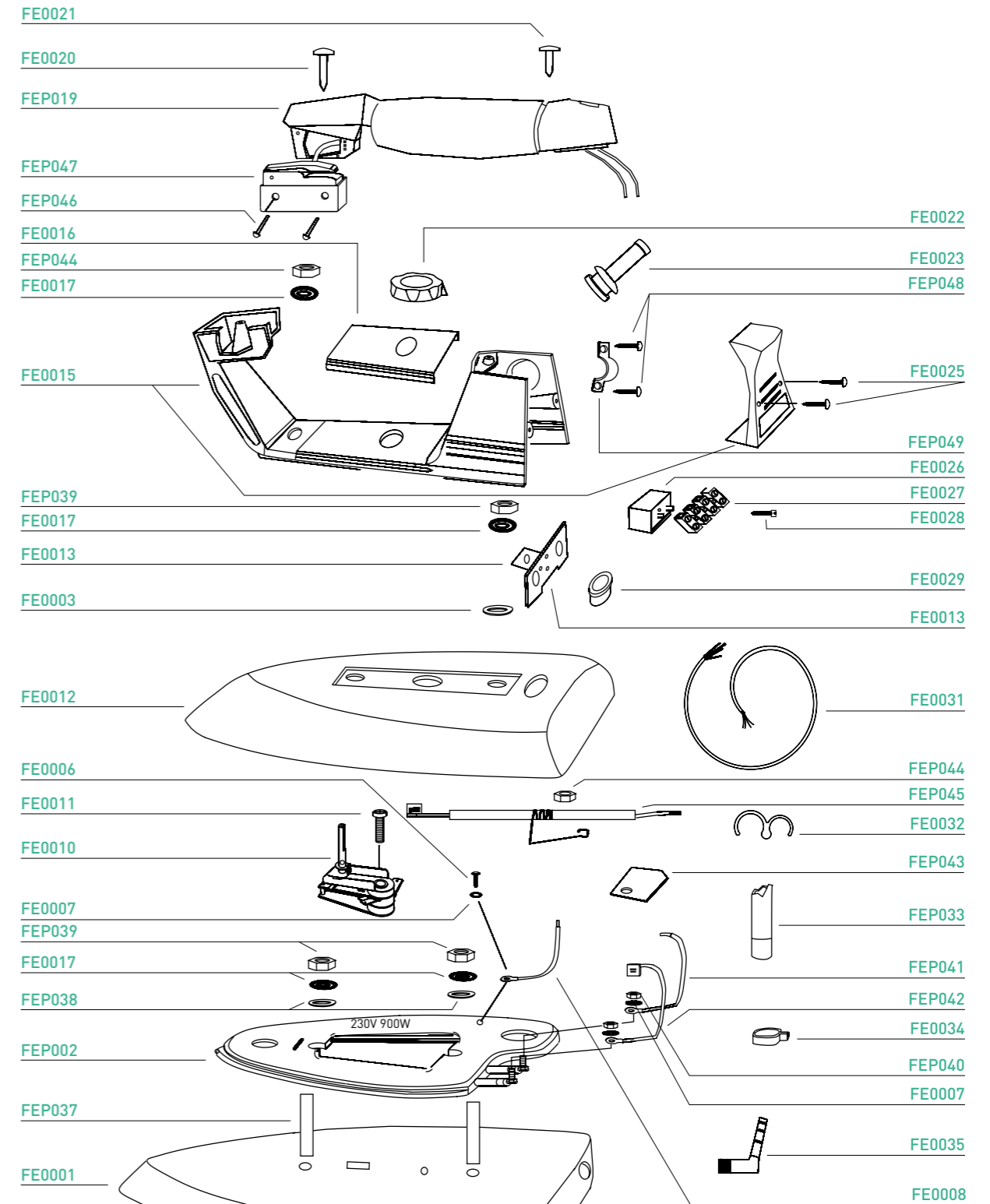


### cod. Descrizione: Ferro da stiro mod. EOS PRO

FE0001	Piastra ferro EOS
FE0003	Rondella piana 6x18x1,5 zincata bianca ferro EOS
FE0006	Vite trilobata m3x6 T.C. croce zincata - fissaggio terra ferro EOS
FE0007	Rondella dentellata 3,2V.E. zincata - DIN 6798 ferro EOS
FE0008	Collegamento elettrico mm.75 ferro EOS
FE0010	Termostato ferro EOS
FE0011	Vite per termostato ferro EOS
FE0012	Calotta acciaio ferro EOS
FE0013	Supporto morsetteria ferro EOS
FE0015	Supporto manico ferro EOS
FE0016	Targhetta ferro EOS
FE0017	Rondella dentellata int/est. 6x18 per ferro EOS
FE0020	Vite autofilettante 4,2x32 zincata nera - testa svasata ferro EOS
FE0021	Vite autofilettante 4,2x13 zincatanera - testa svasata ferro EOS
FE0022	Manopola termostato ferro EOS
FE0023	Passacavo ferro EOS
FE0025	Vite autof. 3,5x9,5 T.C. SP DIN7981 - ZN NERA - H, Lemm ferro EOS
FE0026	Basetta morsetto ferro EOS
FE0027	Morsetto 4 poli ferro EOS
FE0028	Vite autof. 2,2x25 T.C. croce senza punta - zinata bianca ferro EOS
FE0029	Isolante calotta silicone ferro EOS
FE0031	Filo ferro 4x0,75 mt. 2,3 c/puntalini ferro EOS
FE0032	Fascetta palstica doppia cavo-tubo ferro EOS
FE0034	Fascetta stringitubo ferro EOS
FE0035	Portagomma curvo 1/8" ferro EOS
FEP002	Resistenza ferro EOS PRO
FEP019	Impugnatura ferro EOS PRO
FEP033	Tubo vapore calzato 2,20mt ferro EOS PRO
FEP037	Prigioniero per piastra 6x47 stiro ferro EOS PRO
FEP038	Rondella piana d.6 zincata ferro EOS PRO
FEP039	Dado 6MA zincato Es.10 altezza mm.5 ferro EOS PRO
FEP040	Dado M3A zincato bianco Es. 6S UNI 5588 3 ferro EOS PRO
FEP041	Collegamento elettrico mm. 75 ferro EOS PRO
FEP042	Collegamento elettrico con faston mm. 75 ferro EOS PRO
FEP043	Isolante per termofusibile teflon sp. mm.1 ferro EOS PRO
FEP044	Dado M6 zincato Es. 10 altezza mm.4 ferro EOS PRO
FEP045	Protezione termica completa di calza e molla ferro EOS PRO
FEP046	Vite micro ferro EOS PRO
FEP047	Micro ferro EOS PRO
FEP048	Vite autof. 2,9x13 T.CIL.Croce zincata nera ferro EOS PRO
FEP049	Fascetta bloccacavo in nylon ferro EOS PRO

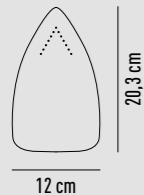
### Description: Iron mod. EOS PRO

Iron plate for EOS iron
Flat washer 6x18x1,5 white zinc-plated EOS iron
Zinc trilobed screw m3x6 - earth wire fixing - for Eos iron
Serrated washer 3,2V.E. zinc-plated - DIN 6798 EOS iron
Electrical connection mm.75 EOS iron
Thermostat for EOS iron
Screw for thermostat EOS iron
Steel covercup for EOS iron
Terminal board support EOS iron
Handle support EOS iron
Plate for EOS iron
Elastic corrugated washer d.5 for Eos iron
Self-tapping screw 4,2x32 black zinc-plated - flared head EOS iron
Self-tapping screw 4,2x13 black zinc-plated - flared head EOS iron
Temperature control knob for EOS iron
Strain relief for EOS iron
Self-tapping screw 3,5x9,5 T.C. SP DIN7981 - ZN BLACK - H, Lemm EOS iron
Sideburn clamp EOS iron
Clamp 4 poles for EOS iron
Self-tapping screw 2,2x25 T.C. - white zinc-plated EOS iron
Silicone insulating cover for covercap EOS iron
Electric cable 4x0,75 mt. 2,3 EOS iron
Double plastic hose clamp cable-hose EOS iron
Hose clamp EOS iron
Curved hose holder 1/8" EOS iron
Heating element for EOS PRO iron
Iron handle for EOS PRO iron
Steam hose with cover 2,00 mt EOS PRO iron
Pin for iron plate 6x47 EOS PRO iron
Flat washer d.6 zinc-plated for EOS PRO iron
Nut 6MA zinc-plated ES. 10 H=5mm.
Nut M3A white zinc-plated ES.6S UNI 5588 3 for EOS PRO iron
Electrical connection mm.75 EOS PRO iron
Electrical connection w/faston mm.75 EOS PRO iron
Insulation for teflon thermal fuse sp. mm.1 EOS PRO iron
Nut M6 zinc-plated ES.10 L=4mm
Thermic protection complete with cover and spring EOS PRO iron
Screw for micro-switch EOS PRO iron
Micro-switch EOS PRO iron
Self-tapping screw 2,9x13 T.CIL. black zinc-plated for EOS PRO iron
Clamp for EOS PRO iron



# FERRO EOS PRO TROLLEY

## FEPT00

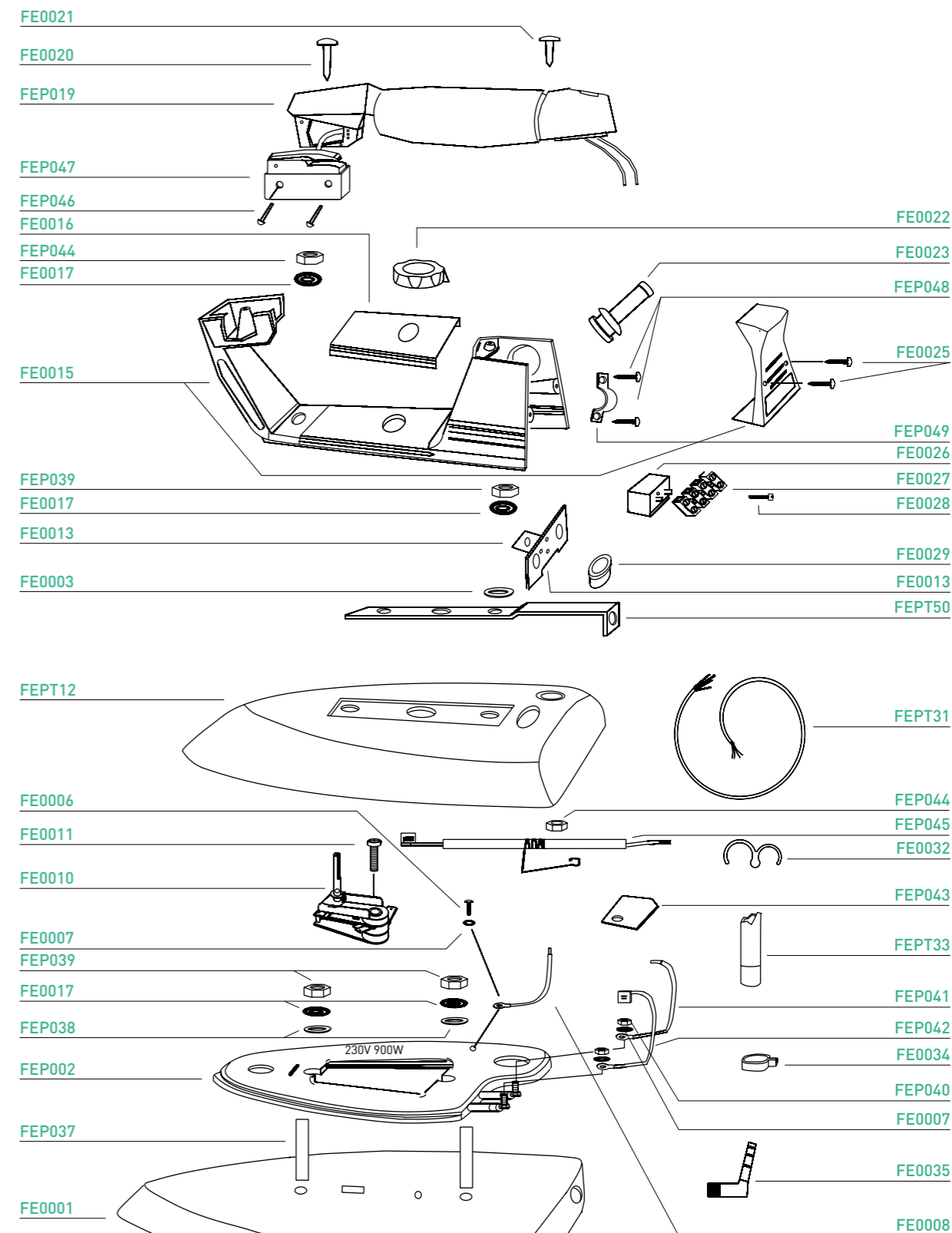


Peso netto	1,85 kg
Peso con tubo e filo	2,35 kg
Lunghezza tubo e filo	3,50 mt

Net weight	1,85 kg
Net weight with electric cable and steam hose	2,35 kg
Steam hose and electric cable	3,50 mt

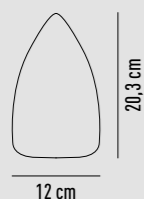


cod.	Descrizione: Ferro da stiro mod. EOS PRO TROLLEY	Description: Iron mod. EOS PRO TROLLEY
FE0001	Piastra ferro EOS	Iron plate for EOS iron
FE0003	Rondella piana 6x18x1,5 zincata bianca ferro EOS	Flat washer 6x18x1,5 white zinc-plated EOS iron
FE0006	Vite trilobata m3x6 T.C. croce zincata - fissaggio terra ferro EOS	Zinc trilobed screw m3x6 - earth wire fixing - for Eos iron
FE0007	Rondella dentellata 3,2V.E. zincata - DIN 6798 ferro EOS	Serrated washer 3,2V.E. zinc-plated - DIN 6798 EOS iron
FE0008	Collegamento elettrico mm.75 ferro EOS	Electrical connection mm.75 EOS iron
FE0010	Termostato ferro EOS	Thermostat for EOS iron
FE0011	Vite per termostato ferro EOS	Screw for thermostat EOS iron
FE0013	Supporto morsettiera ferro EOS	Terminal board support EOS iron
FE0015	Supporto manico ferro EOS	Handle support EOS iron
FE0016	Targhetta ferro EOS	Plate for EOS iron
FE0017	Rondella dentellata int/est. 6x18 per ferro EOS	Elastic corrugated washer d.5 for Eos iron
FE0020	Vite autofilettante 4,2x32 zincata nera - testa svasata ferro EOS	Self-tapping screw 4,2x32 black zinc-plated - flared head EOS iron
FE0021	Vite autofilettante 4,2x13 zincatanaera - testa svasata ferro EOS	Self-tapping screw 4,2x13 black zinc-plated - flared head EOS iron
FE0022	Manopola termostato ferro EOS	Temperature control knob for EOS iron
FE0023	Passacavo ferro EOS	Strain relief for EOS iron
FE0025	Vite autof. 3,5x9,5 T.C. SP DIN7981 - ZN NERA - H, Lemm ferro EOS	Self-tapping screw 3,5x9,5 T.C. SP DIN7981 - ZN BLACK - H, Lemm EOS iron
FE0026	Basetta morsetto ferro EOS	Sideburn clamp EOS iron
FE0027	Morsetto 4 poli ferro EOS	Clamp 4 poles for EOS iron
FE0028	Vite autof. 2,2x25 T.C. croce senza punta - zinata bianca ferro EOS	Self-tapping screw 2,2x25 T.C. - white zinc-plated EOS iron
FE0029	Isolante calotta silicone ferro EOS	Silicone insulating cover for covercap EOS iron
FE0032	Fascetta plastica doppia cavo-tubo ferro EOS	Double plastic hose clamp cable-hose EOS iron
FE0034	Fascetta stringitubo ferro EOS	Hose clamp EOS iron
FE0035	Portagomma curvo 1/8" ferro EOS	Curved hose holder 1/8" EOS iron
FEP002	Resistenza ferro EOS PRO	Heating element for EOS PRO iron
FEP019	Impugnatura ferro EOS PRO	Iron handle for EOS PRO iron
FEP037	Prigioniero per piastra m6x47 stiro ferro EOS PRO	Pin for iron plate m6x47 EOS PRO iron
FEP038	Rondella piana d.6 zincata ferro EOS PRO	Flat washer d.6 zinc-plated for EOS PRO iron
FEP039	Dado 6MA zincato Es.10 altezza mm.5 ferro EOS PRO	Nut 6MA zinc-plated ES. 10 H=5mm.
FEP040	Dado M3A zincato bianco Es. 6S UNI 5588 3 ferro EOS PRO	Nut M3A white zinc-plated ES.6S UNI 5588 3 for EOS PRO iron
FEP041	Collegamento elettrico mm.75 ferro EOS PRO	Electrical connection mm.75 EOS PRO iron
FEP042	Collegamento elettrico con faston mm. 75 ferro EOS PRO	Electrical connection w/faston mm.75 EOS PRO iron
FEP043	Isolante per termofusibile teflon sp. mm.1 ferro EOS PRO	Insulation for teflon thermal fuse sp. mm.1 EOS PRO iron
FEP044	Dado M6 zincato Es. 10 altezza mm.4 ferro EOS PRO	Nut M6 zinc-plated ES.10 L=4mm
FEP045	Protezione termica completa di calza e molla ferro EOS PRO	Thermic protection complete with cover and spring EOS PRO iron
FEP046	Vite micro ferro EOS PRO	Screw for micro-switch EOS PRO iron
FEP047	Micro ferro EOS PRO	Micro-switch EOS PRO iron
FEP048	Vite autof. 2,9x13 T.C.I.L. Croce zincata nera ferro EOS PRO	Self-tapping screw 2,9x13 T.C.I.L. black zinc-plated for EOS PRO iron
FEP049	Fascetta bloccacavo in nylon ferro EOS PRO	Clamp for EOS PRO iron
FEPT12	Calotta acciaio con foro ferro EOS PRO T	Steel covercup with hole for EOS PRO T iron
FEPT31	Filo ferro mt. 3,5 ferro EOS PRO T	Electric cable mt. 3,5 for EOS PRO T iron
FEPT33	Tubo vapore calzato 3,50mt ferro EOS PRO T	Steam hose with cover 3,50 mt EOS PRO T iron
FEPT50	Staffa cromata appendiferro EOS PRO	Chromium-plated bracket for iron holder EOS PRO



# FERRO EOS PRO ELETTRONICO

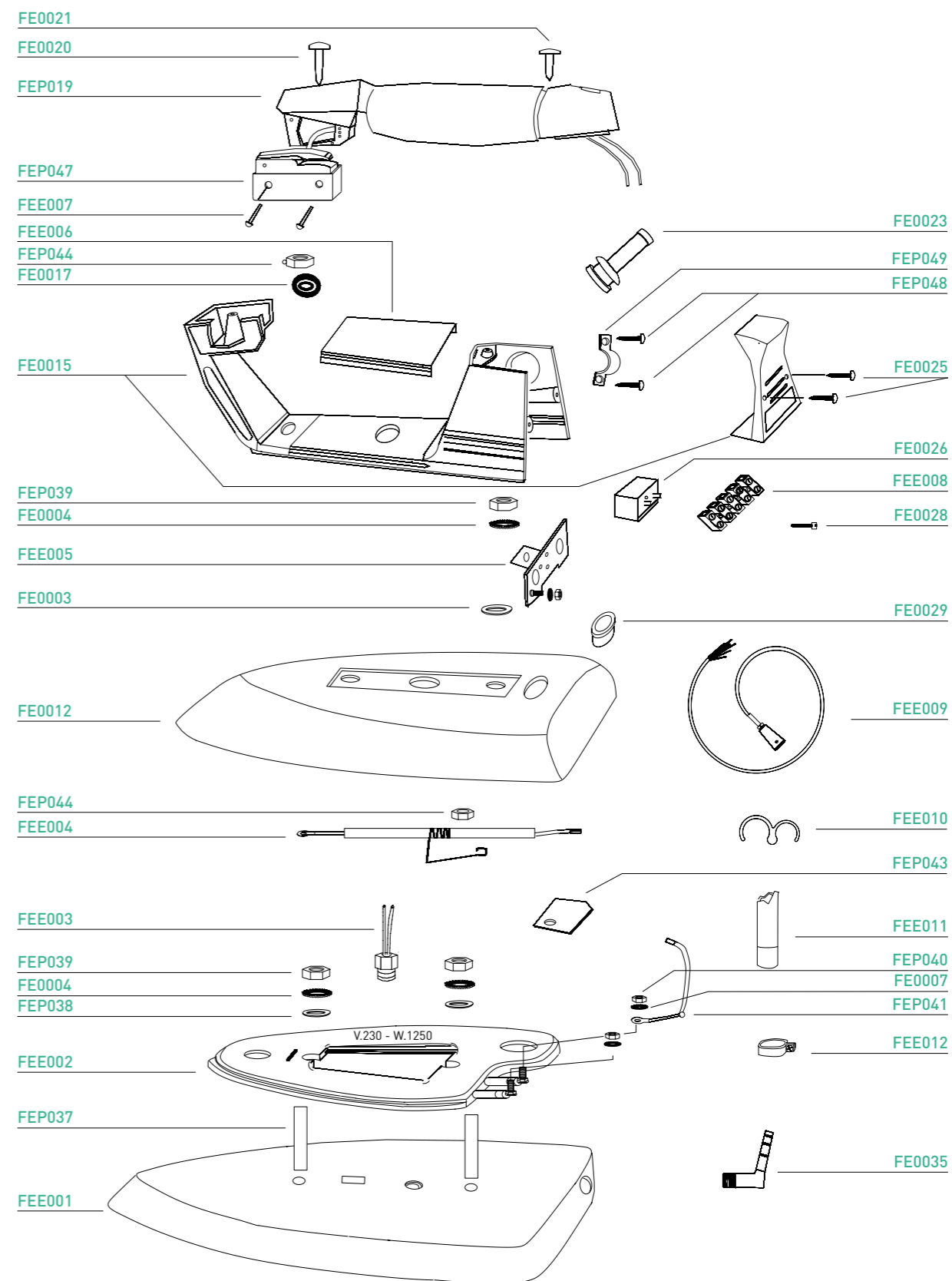
## FEE000



Peso netto	1,58 kg
Peso con tubo e filo	2,20 kg
Lunghezza tubo e filo	2,50 mt
Net weight	1,58 kg
Net weight with electric cable and steam hose	2,20 kg
Steam hose and electric cable	2,50 mt

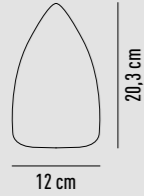


cod.	Descrizione: Ferro da stiro mod. EOS PRO ELETTRICO	Description: Iron mod. EOS PRO ELETTRONICO
FE0003	Rondella piana 6x18x1,5 zincata bianca per ferro EOS	Flat washer 6x18x1,5 white zinc-plated EOS iron
FE0004	Rondella dent. vent.int. bianca DIN 6798 per ferro EOS	White toothed washer DIN 6798 for Eos iron
FE0007	Rondella dentellata 3,2V.E. zincata - DIN 6798 per ferro EOS	Serrated washer 3,2V.E. zinc-plated - DIN 6798 EOS iron
FE0012	Calotta acciaio per ferro EOS	Steel covercup for EOS iron
FE0015	Supporto manico per ferro EOS	Handle support EOS iron
FE0017	Rondella dentellata int/est. 6x18 per ferro	EOS Elastic corrugated washer d.5 for Eos iron
FE0020	Vite autofilettante 4,2x32 zincata nera - testa svasata per ferro EOS	Self-tapping screw 4,2x32 black zinc-plated - flared head EOS iron
FE0021	Vite autofilettante 4,2x13 zincanera - testa svasata per ferro EOS	Self-tapping screw 4,2x13 black zinc-plated - flared head EOS iron
FE0023	Gommino passacavo per ferro EOS	Strain relief for EOS iron 1
FE0025	Vite autof. 3,5x9,5 T.C. SP DIN7981 - ZN NERA - H, Lemm per ferro EOS	Self-tapping screw 3,5x9,5 T.C. SP DIN7981 - ZN BLACK - H, Lemm EOS iron
FE0026	Basetta morsetto per ferro EOS	Sideburn clamp EOS iron
FE0028	Vite autof. 2,2x25 T.C. croce senza punta - zinata bianca per ferro EOS	Self-tapping screw 2,2x25 T.C. - white zinc-plated EOS iron
FE0029	Isolante calotta silicone per ferro EOS	Silicone insulating cover for covercap EOS iron
FE0035	Portagomma curvo per ferro EOS	Curved hose holder 1/8" EOS iron
FEE001	Piastra per ferro EOS ELETTRONICO	Iron plate for EOS PRO ELECTRONIC IRON
FEE002	Resistenza 1.250W per ferro EOS ELETTRONICO	Heating resistance element 1.250W for EOS PRO ELECTRONIC IRON
FEE003	Sonda per ferro EOS ELETTRONICO	Probe for EOS PRO ELECTRONIC IRON
FEE004	Protezione termica completa di calza e molla per ferro EOS ELETTRONICO	Thermic protection complete with cover and spring for EOS PRO ELECTRONIC IRON
FEE005	Supporto morsetteria per ferro EOS PRO ELETTRICO	Terminal board support EOS PRO ELECTRONIC IRON
FEE006	Targhetta per ferro EOS PRO ELETTRONICO	Plate for ELECTRONIC EOS PRO iron
FEE007	Vite autof. 4x30 T.C. croce per ferro EOS ELETTRONICO	Self-tapping screw 4x30 T.C. for EOS PRO ELECTRONIC IRON
FEE008	Morsetto 5 poli piccolo per EOS ELETTRONICO	Clamp for EOS PRO ELECTRONIC IRON
FEE009	Cavo elettrico 6 poli c/spina per EOS ELETTRONICO	Electric cable with plug for EOS PRO ELECTRONIC IRON
FEE010	Fascetta plastica doppia cavo-tubo per ferro EOS ELETTRONICO	Double plastic hose clamp for EOS PRO ELECTRONIC IRON
FEE011	Tubo vapore calzato 2,50mt per ferro EOS ELETTRONICO	Steam hose with cover 2,5mt. for EOS PRO ELECTRONIC IRON
FEE012	Fascetta stringitubo con vite per ferro EOS ELETTRONICO	Hose clamp with screw for EOS PRO ELECTRONIC IRON
FEP019	Manico in sughero per ferro EOS PRO	Iron handle for EOS PRO iron
FEP037	Prigioniero per piastra 6x47 stiro per ferro EOS PRO	Pin for iron plate 6x47 EOS PRO iron
FEP038	Rondella piana d.6 zincata per ferro EOS PRO	Flat washer d.6 zinc-plated for EOS PRO iron
FEP039	Dado 6MA zincato Es.10 altezza mm.5 per ferro EOS PRO	Nut 6MA zinc-plated ES. 10 H=5mm.
FEP040	Dado M3A zincato bianco Es. 6S UNI 5588 3 per ferro EOS PRO	Nut M3A white zinc-plated ES.6S UNI 5588 3 for EOS PRO iron
FEP041	Collegamento elettrico mm.75 per ferro EOS PRO	Electrical connection mm.75 EOS PRO iron
FEP043	Isolante per termofusibile teflon sp. mm.1 per ferro EOS PRO	Insulation for teflon thermal fuse sp. mm.1 EOS PRO iron
FEP044	Dado M6 zincato Es. 10 altezza mm.4 per ferro EOS PRO	Nut M6 zinc-plated ES.10 L=4mm
FEP047	Micro per ferro LEMM ed EOS PRO	Micro-switch EOS PRO iron
FEP048	Vite autof. 2,9x13 T.CIL.Croce zincata nera per ferro EOS PRO	Self-tapping screw 2,9x13 T.CIL. black zinc-plated for EOS PRO iron
FEP049	Fascetta bloccacavo in nylon per ferro EOS PRO - spazzola Atena	Clamp for EOS PRO iron



# FERRO EOS A SECCO

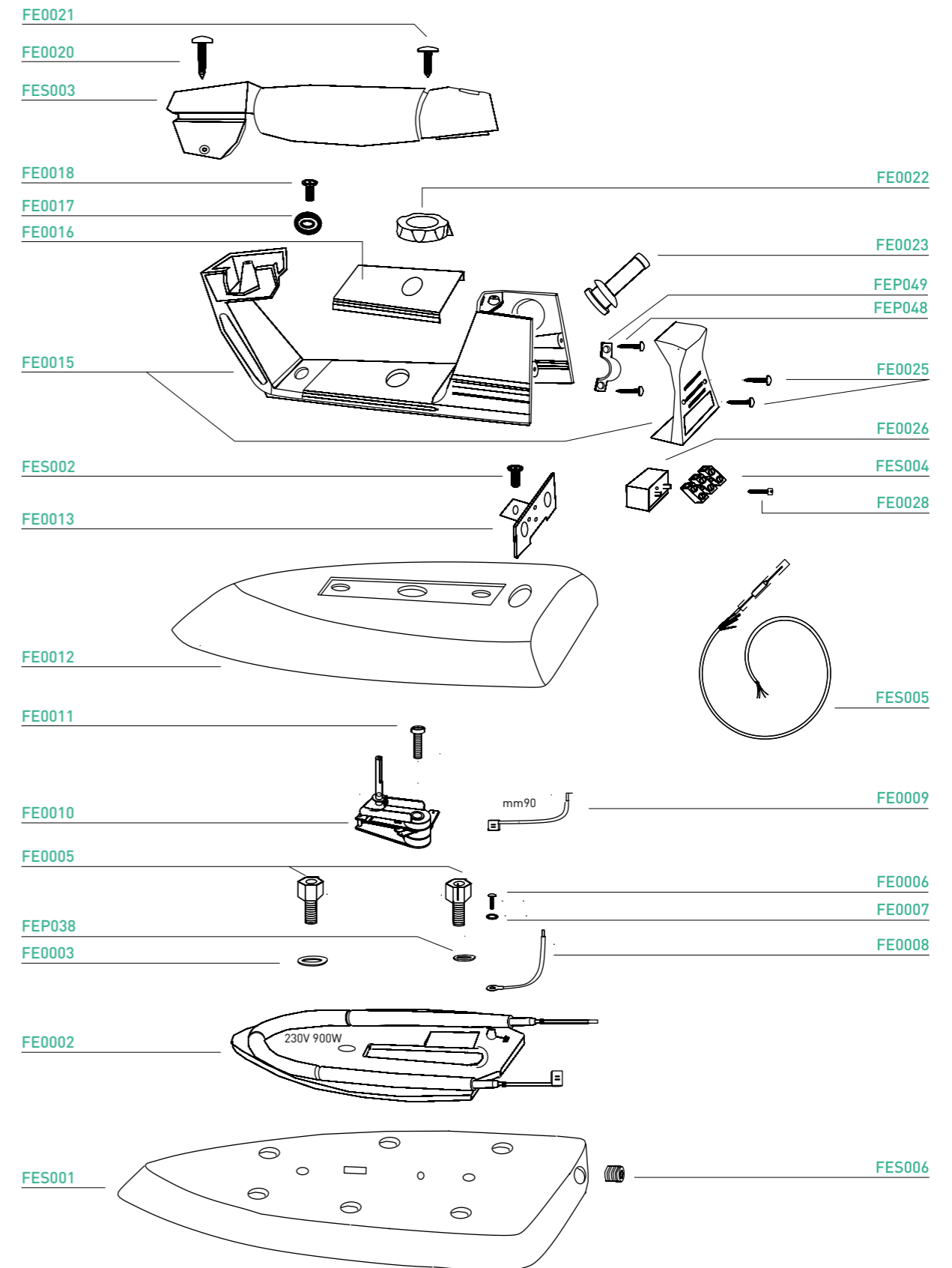
## FES000



Peso netto	1,37 kg
Peso filo	1,55 kg
Lunghezza filo	2,00 mt
Net weight	1,37kg
Net weight with electric cable	1,55 kg
Electric cable	2,00 mt



cod.	Descrizione: Ferro da stiro mod. EOS A SECCO	Description: Iron mod. EOS A SECCO
FE0002	Resistenza 800W per ferro EOS/EOS A SECCO	Heating element 800 W for EOS iron
FE0003	Rondella piana 6x18x1,5 zincata bianca per ferro EOS	Flat washer 6x18x1,5 white zinc-plated EOS iron
FE0005	Prigioniero 6max30 con spessore esagono 10mm per ferro EOS	Pin 6x30 LK FK iron - hexagon thickness 10mm - for Eos iron
FE0006	Vite trilobata m3x6 T.C. croce zincata - fissaggio terra ferro EOS	Zinc trilobed screw m3x6 - earth wire fixing - for Eos iron
FE0007	Rondella dentellata 3,2V.E. zincata - DIN 6798 per ferro EOS	Serrated washer 3,2V.E. zinc-plated - DIN 6798 EOS iron
FE0008	Collegamento elettrico mm.75 per ferro EOS	Electrical connection mm.75 EOS iron
FE0009	Collegamento elettrico mm.90 per ferro EOS	Electrical connection mm.90 EOS iron
FE0010	Termostato per ferro EOS/LEMM	Thermostat for EOS iron
FE0011	Vite termostato per ferro EOS/LEMM	Screw for thermostat EOS iron
FE0012	Calotta acciaio per ferro EOS	Steel covercup for EOS iron
FE0013	Supporto morsetteria per ferro EOS	Terminal board support EOS iron
FE0015	Supporto manico per ferro EOS	Handle support EOS iron
FE0016	Targhetta per ferro EOS	Plate for EOS iron
FE0017	Rondella dentellata int/est. 6x18 per ferro EOS	Elastic corrugated washer d.5 for Eos iron
FE0018	Vite brugola 5x20 TBCE brunita con flangia - supporto manico per ferro EOS	Allen screw 5x16TBCE burnished - handle support EOS iron
FE0020	Vite autofilettante 4,2x32 zincata nera - testa svasata per ferro EOS	Self-tapping screw 4,2x13 black zinc-plated - flared head EOS iron
FE0021	Vite autofilettante 4,2x13 zincanera - testa svasata per ferro EOS	Self-tapping screw 4,2x32 black zinc-plated - flared head EOS iron
FE0022	Manopola termostato per ferro EOS	Temperature control knob for EOS iron
FE0023	Gommino passacavo per ferro EOS	Strain relief for EOS iron
FE0025	Vite autof. 3,5x9,5 T.C. SP DIN7981 - ZN NERA - H, Lemm per 2 ferro EOS	Self-tapping screw 3,5x9,5 T.C. SP DIN7981 - ZN BLACK - H, Lemm EOS iron
FE0026	Basetta morsetto per ferro EOS	Sideburn clamp EOS iron
FE0028	Vite autof. 2,2x25 T.C. croce senza punta - zinata bianca per ferro EOS	Self-tapping screw 2,2x25 T.C. - white zinc-plated EOS iron
FEP038	Rondella piana d.6 zincata per ferro EOS PRO	Flat washer d.6 zinc-plated for EOS PRO iron
FES001	Piastra per ferro EOS A SECCO	Iron plate for EOS DRY iron
FES002	Vite brugola 5x16 TBCE brunita con flangia per ferro EOS SECCO	A Allen screw 5x16 TBCE burnished for EOS DRY iron
FES003	Manico per ferro EOS A SECCO	Iron handle for EOS DRY
FES004	Morsetto 3 poli piccolo per EOS A SECCO	Clamp for EOS DRY
FES005	Filo ferro completo di termofusibile per ferro EOS (2,1 mt.)	Electric cable with thermal fuse mt.2,1 for EOS
FES006	Tappo ottone 1/8" per ferro EOS A SECCO	Brass plug 1/8" for EOS DRY
FEP048	Vite autof. 2,9x13 T.CIL.Croce zincata nera per ferro EOS	Self-tapping screw 2,9x13 T.CIL. black zinc-plated for EOS iron
FEP049	Fascetta bloccacavo in nylon per ferro EOS	Clamp for EOS iron



**Accessori applicabili a richiesta**  
*Accessories available by request*

**FERRO EOS**



Piastra nera antilucido  
*Black anti-sheen iron plate*



Calotta nera Ryton  
*Black Ryton covercap*



Micro industriale  
*Industrial micro switch*

**FERRO EOS MAXI**



Piastra nera antilucido  
*Black anti-sheen iron plate*



Micro industriale  
*Industrial micro switch*

**FERRO EOS PRO**



Piastra nera antilucido  
*Black anti-sheen iron plate*



Calotta nera Ryton  
*Black Ryton covercap*

**FERRO EOS PRO TROLLEY**



Piastra nera antilucido  
*Black anti-sheen iron plate*



Calotta nera Ryton  
*Black Ryton covercap*

**FERRO EOS PRO ELETTRONICO**



Piastra nera antilucido  
*Black anti-sheen iron plate*



Calotta nera Ryton  
*Black Ryton covercap*

**FERRO EOS A SECCO**



Piastra nera antilucido  
*Black anti-sheen iron plate*



Calotta nera Ryton  
*Black Ryton covercap*